



3 dB 180° Octave Band Hybrid Couplers

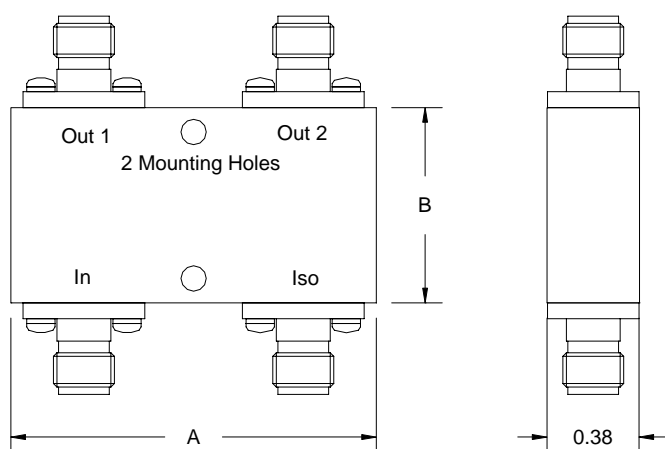
FEATURES

- ❖ Low Insertion Loss
- ❖ Low VSWR
- ❖ High Isolation
- ❖ Excellent Amplitude Tracking
- ❖ Excellent Phase Tracking
- ❖ High Power Handling
- ❖ Wide Operating Temperature Range

SPECIFICATIONS

3 dB 180° Octave Band Hybrid Couplers							
Model Number	Frequency Range (GHz)	Phase Balance (±deg)	Frequency Flatness (±dB)	Isolation (dB)	VSWR	Insertion Loss (dB)	Outline Figure
DY-0D75	0.5-1	4	0.5	25	1.25:1	0.50	4
DY-1D50	1-2	4	0.5	25	1.25:1	0.50	5
DY-3D90	2.6-5.2	4	0.6	23	1.30:1	0.60	3
DY-6D00	4-8	5	0.6	20	1.30:1	0.60	2
DY-9D00	6-12	5	0.7	20	1.35:1	0.65	1
DY-12D00	8-16	6	0.7	18	1.35:1	0.70	1
DY-18D00	12-24	7	0.8	16	1.40:1	0.80	1
DY-30D00	20-40	9	0.9	14	1.50:1	1.00	1

Note 1. Other frequency band modules are available on request.



Outline		
Figure	A (inch)	B (inch)
1	1.0	1.0
2	1.0	1.1
3	1.2	1.7
4	3.2	1.7
5	4.0	1.7