



2-Way Extreme High Power Combiners With High Isolation

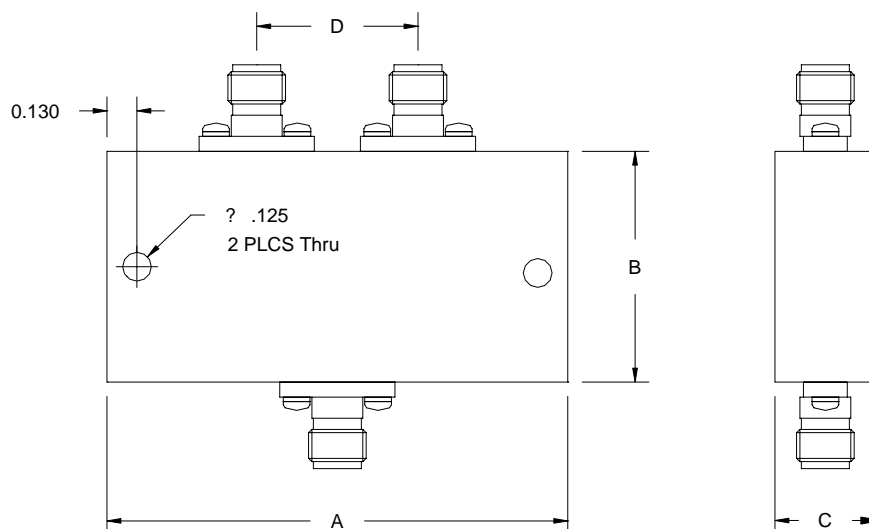
FEATURES

- ❖ Low Insertion Loss
- ❖ Excellent Amplitude Tracking
- ❖ Low VSWR
- ❖ Excellent Phase Tracking
- ❖ High Isolation
- ❖ Wide Operating Temperature Range
- ❖ High Power Handling

SPECIFICATIONS

2-Way Extreme High Power Combiners With High Isolation													
Model Number	Freq (GHz)	Isolation (dB)		Insertion Loss (dB)		Amplitude Balance (±dB) (Max)	Phase Balance (±deg) (Max)	VSWR				Power Each Channel (Watt)	Outline Figure
		Typ	Min	Typ	Max			Input		Output			
								Typ	Max	Typ	Max		
2DHC-0D8365	0.824-0.849	23	20	0.30	0.40	0.1	0.5	1.15:1	1.25:1	1.15:1	1.25:1	100	1
2DHC-1D88	1.85-1.91	23	20	0.35	0.45	0.1	0.5	1.15:1	1.25:1	1.15:1	1.25:1	100	2
2DHC-5D65	5.4-5.9	22	19	0.45	0.50	0.2	1	1.20:1	1.30:1	1.20:1	1.30:1	100	3
2DHC-9D75	10.7-11.2	20	17	0.60	0.80	0.2	2	1.30:1	1.40:1	1.30:1	1.40:1	80	4

Note 1. Standard connectors are N and SMA female. Other connector type and frequency band are available on request.
 Note 2. Units should be mounted on a metal plate with good heat sinking otherwise Clear Microwave will provide a heat sinking with the unit.
 Note 3. When the unit is used as a power divider, the power handling means the input power at the condition when all the outputs are open or short at any phase difference. Higher power rate unit is available on request.



Outline				
Figure	A (inch)	B (inch)	C (inch)	D (inch)
1	4.0	3.5	0.8	1.0
2	2.5	2.0	0.8	1.0
3	1.8	1.2	0.8	0.8
4	1.5	1.0	0.7	0.8