



3-Way High Power Dividers With High Isolation

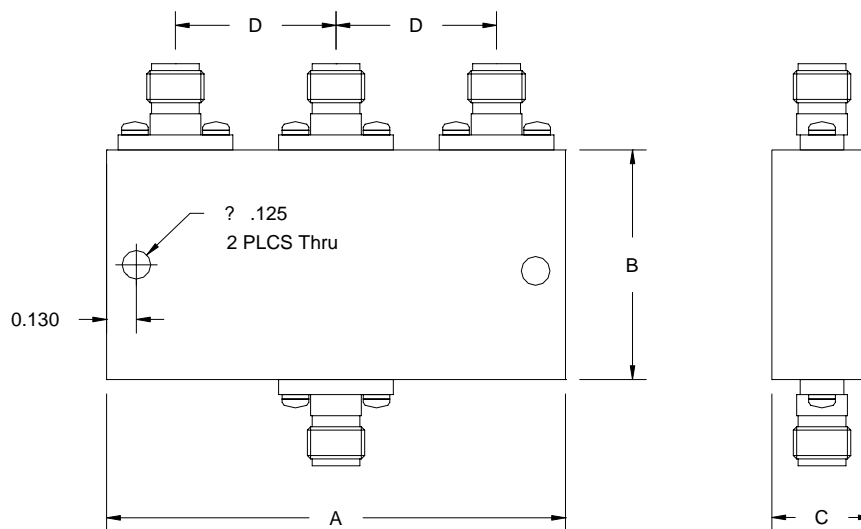
FEATURES

- ❖ Low Insertion Loss
- ❖ Excellent Amplitude Tracking
- ❖ Low VSWR
- ❖ Excellent Phase Tracking
- ❖ High Isolation
- ❖ Wide Operating Temperature Range
- ❖ High Power Handling

SPECIFICATIONS

3-Way High Power Dividers With High Isolation													
Model Number	Freq (GHz)	Isolation (dB)		Insertion Loss (dB)		Amplitude Balance (±dB) (Max)	Phase Balance (±deg) (Max)	VSWR				Input Power (Watt)	Outline Figure
		Typ	Min	Typ	Max			Input		Output			
								Typ	Max	Typ	Max		
3DHY-0D8365	0.824-0.849	25	22	0.35	0.45	0.1	0.5	1.15:1	1.25:1	1.15:1	1.25:1	200	1
3DHY-1D88	1.85-1.91	25	22	0.40	0.50	0.15	1	1.15:1	1.25:1	1.15:1	1.25:1	200	2
3DHY-5D65	5.4-5.9	23	21	0.50	0.65	0.2	1	1.25:1	1.35:1	1.20:1	1.30:1	150	3
3DHY-10D95	10.7-11.2	23	21	0.60	0.75	0.2	1.5	1.25:1	1.35:1	1.20:1	1.30:1	100	4
3DHY-14D25	14.0-14.5	22	20	0.80	1.00	0.2	2	1.35:1	1.45:1	1.25:1	1.35:1	50	5

Note 1. Standard connectors are N and SMA female. Other connector type and frequency band are available on request.
 Note 2. Units should be mounted on a metal plate with good heat sinking otherwise Clear Microwave will provide a heat sinking with the unit.
 Note 3. Input power rate is at the condition when all the outputs are connected to the load with 1:30:1 VSWR at any phase difference. Higher power rate unit is available on request.



Outline				
Figure	A (inch)	B (inch)	C (inch)	D (inch)
1	3.0	2.0	0.8	1.0
2	3.0	2.0	0.8	1.0
3	2.5	1.5	0.8	0.8
4	1.5	1.0	0.5	0.5
5	1.5	1.0	0.5	0.5