



3 dB 90° Multi-Octave Band Hybrid Couplers

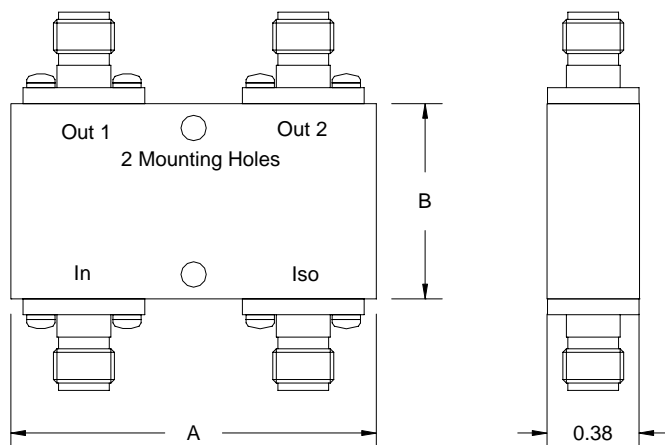
FEATURES

- ❖ Low Insertion Loss
- ❖ Low VSWR
- ❖ High Isolation
- ❖ Excellent Amplitude Tracking
- ❖ Excellent Phase Tracking
- ❖ High Power Handling
- ❖ Wide Operating Temperature Range

SPECIFICATIONS

3 dB 90° Multi-Octave Band Hybrid Couplers							
Model Number	Frequency Range (GHz)	Phase Balance (±deg)	Frequency Flatness (±dB)	Isolation (dB)	VSWR	Insertion Loss (dB)	Outline Figure
QV-2D25	0.5-4	3	0.4	20	1.30:1	0.60	10
QV-1D70	0.7-2.7	2	0.3	23	1.25:1	0.50	11
QS-1D50	0.8-2.2	2.5	0.3	23	1.25:1	0.40	9
QS-2D50	1-4	3	0.4	21	1.25:1	0.50	8
QV-4D50	1-8	3	0.5	18	1.35:1	0.70	7
QJ-9D50	1-18	8	1.0	15	1.50:1	1.20	6
QS-7D00	2-12	4	0.7	17	1.35:1	0.70	4
QV-10D00	2-18	6	0.7	16	1.40:1	0.80	5
QQ-14D25	2-26.5	10	1.0	14	1.50:1	1.40	5
QS-7D50	3-12	4	0.7	17	1.35:1	0.70	4
QS-10D50	3-18	5	0.7	16	1.40:1	0.80	3
QS-12D00	6-18	4	0.6	18	1.35:1	0.80	2
QS-17D25	8-26.5	7	0.8	16	1.45:1	0.90	1

Note 1. Other frequency band modules are available on request.



Outline		
Figure	A (inch)	B (inch)
1	1.0	0.7
2	1.1	0.7
3	1.2	0.7
4	1.5	0.7
5	1.6	0.7
6	2.5	0.7
7	2.8	0.7
8	3.0	0.7
9	4.6	0.7
10	5.1	0.7
11	6.5	0.7