



3 dB 90° Octave Band Hybrid Couplers

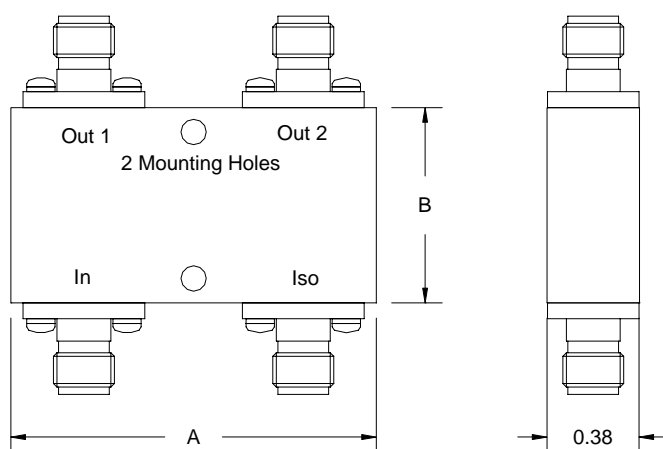
FEATURES

- ❖ Low Insertion Loss
- ❖ Low VSWR
- ❖ High Isolation
- ❖ Excellent Amplitude Tracking
- ❖ Excellent Phase Tracking
- ❖ High Power Handling
- ❖ Wide Operating Temperature Range

SPECIFICATIONS

3 dB 90° Octave Band Hybrid Couplers							
Model Number	Frequency Range (GHz)	Phase Balance (±deg)	Frequency Flatness (±dB)	Isolation (dB)	VSWR	Insertion Loss (dB)	Outline Figure
QY-0D75	0.5-1	1	0.4	25	1.15:1	0.15	5
QY-1D50	1-2	2	0.4	25	1.20:1	0.15	4
QY-3D90	2.6-5.2	2	0.45	23	1.25:1	0.20	3
QY-6D00	4-8	2	0.5	20	1.25:1	0.30	1
QY-9D00	6-12	5	0.5	20	1.25:1	0.35	1
QY-12D00	8-16	5	0.5	18	1.30:1	0.45	1
QY-18D00	12-24	5	0.6	16	1.35:1	0.60	1
QY-30D00	20-40	6	0.7	14	1.45:1	0.70	1

Note 1. Other frequency band modules are available on request.



Outline		
Figure	A (inch)	B (inch)
1	1.0	0.5
2	1.2	0.7
3	1.3	0.7
4	2.2	0.7
5	3.5	0.7