



B7S518N 0.005 – 18 GHz Type N Bias Tee

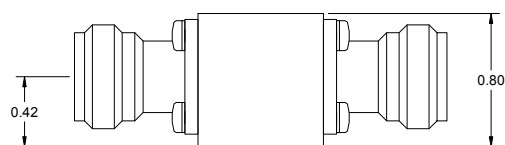
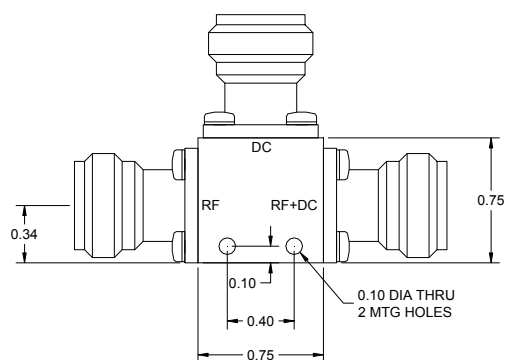
FEATURES

- ❖ High DC Voltage
- ❖ Low Insertion Loss
- ❖ Low VSWR
- ❖ Small Package



SPECIFICATIONS

0.005 – 18 GHz Type N Bias Tee	
Model Number	B7S518N
Frequency Range	0.005 – 18 GHz
DC Current	700 mA Max.
DC Voltage	200 V
Insertion Loss	1.60 dB Typ., 1.90 dB Max.
RF Port VSWR	1.30:1 Typ., 1.45:1 Max.
RF+DC Port VSWR	1.30:1 Typ., 1.45:1 Max.
RF to DC Isolation	25 dB Typ., 20 dB Min.
RF Power Handling	5 Watt CW Min.
Impedance	50Ω Nom.
Connector Type	N Female (other connector available on request)



Design to meet the following environmental ratings: (verification optional)

1. Operating Temp: -55°C to +85°C
2. Storage Temp: -65°C to +125°C
3. Shock: MIL-STD-202F, M213, Cond B
4. Altitude: MIL-STD-202F, M105, Cond B
5. Vibration: MIL-STD-202F, M204, Cond B
6. Thermal Shock: MIL-STD-202F, M107, Cond A
7. Temp. Cycle: MIL-STD-202F, M105C, Cond D
8. Humidity: MIL-STD-202F, M103, Cond B (Optional with Hysol seal)

Standard Finishing: Rugged Aluminum Housing. Optional finishing with blue epoxy paint per MIL-C-22750 available on request.

Note:

1. Solder post at DC port available on request.
2. Standard connector is N female for all ports
3. Other connector combination available on request
4. Power handling is tested at 2 GHz