



DMS104/DMS104P 0.0001 – 4 GHz RF Matched Schottky Detector

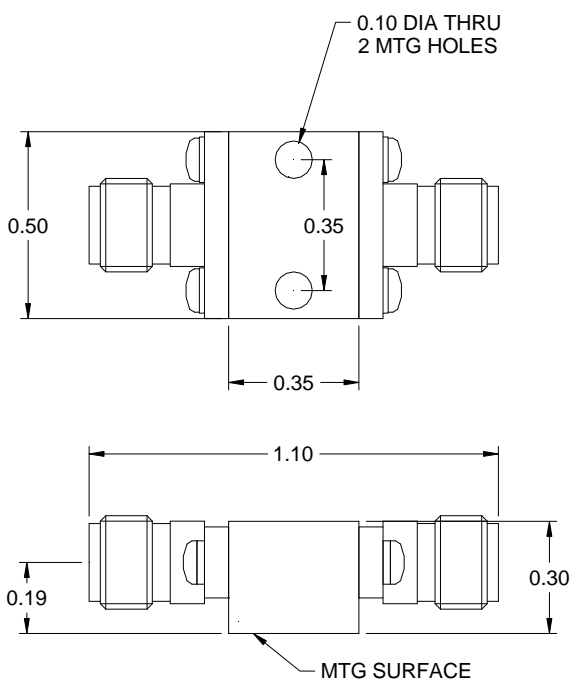
FEATURES

- ❖ Excellent Flatness vs. Frequency
- ❖ Excellent Input RF Matching
- ❖ Mounting Holes Option
- ❖ No Bias Required
- ❖ High Sensitivity



SPECIFICATIONS

| 0.0001 – 4 GHz RF Matched Schottky Detector | | |
|---|-------------------|-------------------|
| Parameter | Negative Polarity | Positive Polarity |
| Model Number | DMS104 | DMS104P |
| Frequency Range | 0.0001 – 4 GHz | 0.0001 – 4 GHz |
| Sensitivity | 500 mV/mW Min. | 500 mV/mW Min. |
| Flatness vs. Frequency | ±0.4 dB Max. | ±0.35 dB Max. |
| RF Input VSWR | 1.08:1 Max. | 1.08:1 Max. |
| TSS | -40 dBm Typ. | -40 dBm Typ. |
| Maximum Input Power | +20 dBm | +20 dBm |
| Output Polarity | Negative | Positive |
| Connector Type | SMA Female | SMA Female |



Design to meet the following environmental ratings: (verification optional)

1. Operating Temp: -55°C to +85°C
2. Storage Temp: -65°C to +125°C
3. Shock: MIL-STD-202F, M213, Cond B
4. Altitude: MIL-STD-202F, M105, Cond B
5. Vibration: MIL-STD-202F, M204, Cond B
6. Thermal Shock: MIL-STD-202F, M107, Cond A
7. Temp. Cycle: MIL-STD-202F, M105C, Cond D

Standard Finishing: Rugged Aluminum Housing. Optional finishing with blue epoxy paint per MIL-C-22750 available on request to meet the humidity specification MIL-STD-202F, M103, Cond B

Note:

1. The standard connector is SMA female, other connector available on request
2. The sensitivity is measured into an open circuit load (>10k Ohm)
3. Other frequency range available on request