



LT1922 19 – 22 GHz Limiter

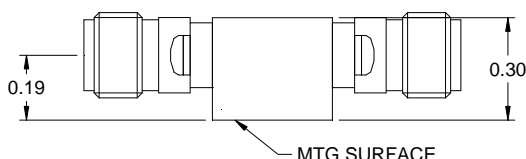
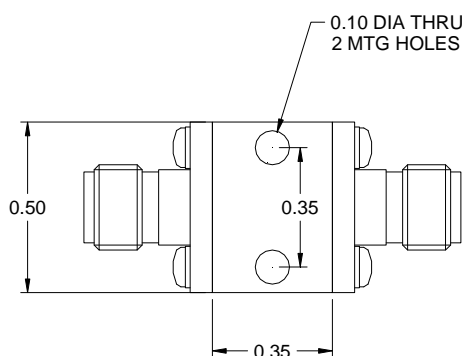
FEATURES

- ❖ Low Insertion Loss
- ❖ Low VSWR
- ❖ Mounting Hole Option
- ❖ Customer Design Available



SPECIFICATIONS

| 19 – 22 GHz Limiter | |
|----------------------------|---------------------------|
| Model Number | LT1922 |
| Frequency Range | 19 – 22 GHz |
| Insertion Loss | 1.60 dB Typ., 2.0 dB Max. |
| Input VSWR | 1.30:1 Typ., 1.40:1 Max. |
| Output VSWR | 1.30:1 Typ., 1.40:1 Max. |
| Peak Input Power | 100 W Max. |
| CW Input Power | 2 W Max. |
| Peak Flat Leakage | 18 dBm Typ., 22 dBm Max. |
| CW Flat Leakage | 15 dBm Typ., 18 dBm Max. |
| Impedance | 50 ohm. |
| Connector Type | 2.92 mm Female |



Design to meet the following environmental specifications (verification optional)

1. Operating Temp: -55°C to +85°C
2. Storage Temp: -65°C to +125°C
3. Shock: MIL-STD-202F, M213, Cond B
4. Altitude: MIL-STD-202F, M105, Cond B
5. Vibration: MIL-STD-202F, M204, Cond B
6. Thermal Shock: MIL-STD-202F, M107, Cond A
7. Temp. Cycle: MIL-STD-202F, M105C, Cond D
8. Humidity: MIL-STD-202F, M103, Cond B (Non-standard, optional with Hysol epoxy seal)

Standard Finishing: Rugged aluminum housing, optional finishing with blue epoxy paint per MIL-C-22750 available on request.

Note:

1. Male/female combination available on request
2. Part number for different combination is as follow
Add "M" suffix for male to male
Add "MF" suffix for male to female
3. Other connector type available on request
4. The CW Leakage is measured at 1W input power
5. Power handling is linearly derated from full power at 25 °C to zero at +150 °C with excellent heat sink